

## 2.2.3 Control Module SC0500 (internal power supply)



**SC0500-40**

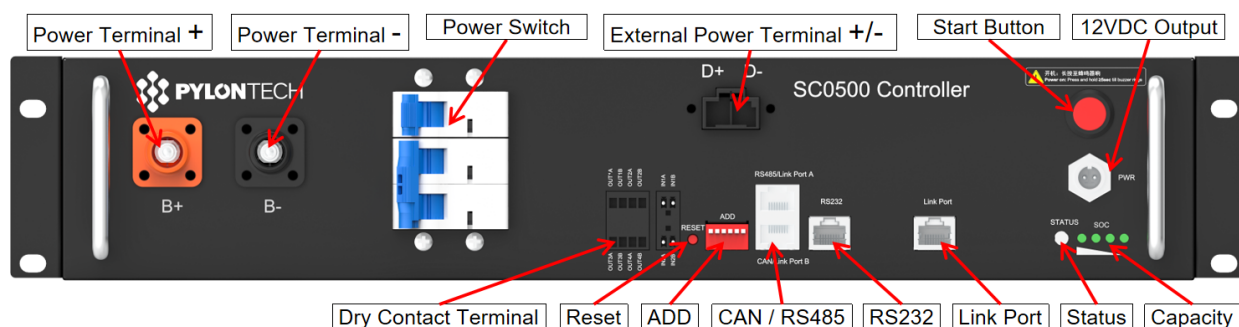


**SC0500-100**

No.	Product Type	SC0500-40	SC0500-100
1	Related Product	H48050/H48074	H48050/H48074
2	Controller Working Voltage	60~600Vdc	60~600Vdc
3	System Operation Voltage(Vdc)	60~600	60~600
4	Charge Current(Max.)(A)	40	100
5	Discharge Voltage(Vdc)	60~600	60~600
6	Discharge Current(Max.)(A)	40	100
7	Self-consumption Power(W)	8	8
8	Dimension(W*D*H,mm)	442*270*87	442*390*132
9	Communication	Modbus RTU\CAN	Modbus RTU\CAN
10	Protection Class	IP20	IP20
11	Weight(kg)	7	8.5
12	Operation Life(Years)	15+	15+
13	Operation Temperature(°C)	-20~65	-20~65
14	Storage Temperature(°C)	-40~80	-40~80
15	Product Certificate	TUV, CE	TUV, CE

### Control Module ((SC0500-40/SC0500-100) Front Interface

#### SC0500-40:



#### SC0500-100: